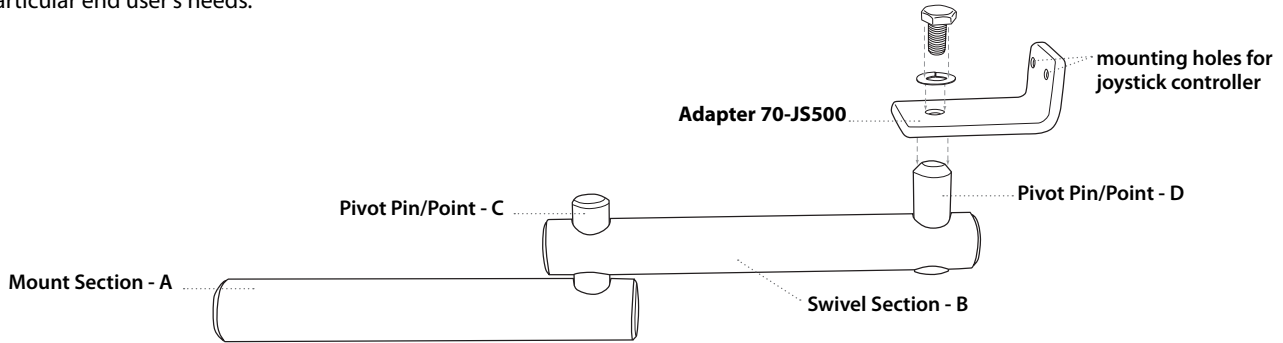


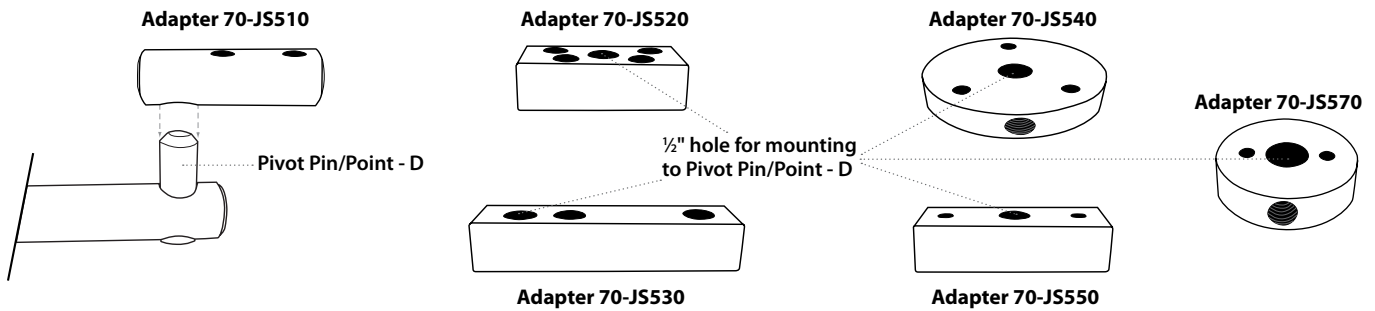
The Retractable and Retractable Lite are designed for maximum flexibility in mounting, adjustability, and safety for the end user.

**MOUNTING THE JOYSTICK ADAPTER**

**70-JS500:** Mount joystick adapter bracket 70-JS500 using 1/2" hex head bolt 1/4" x 20 and 1/4" split lock washer provided. Tighten securely. Normally the adapter bracket will be mounted parallel to the fully extended Retractable arm. However it can be mounted on an offset (right or left) for a particular end user's needs.



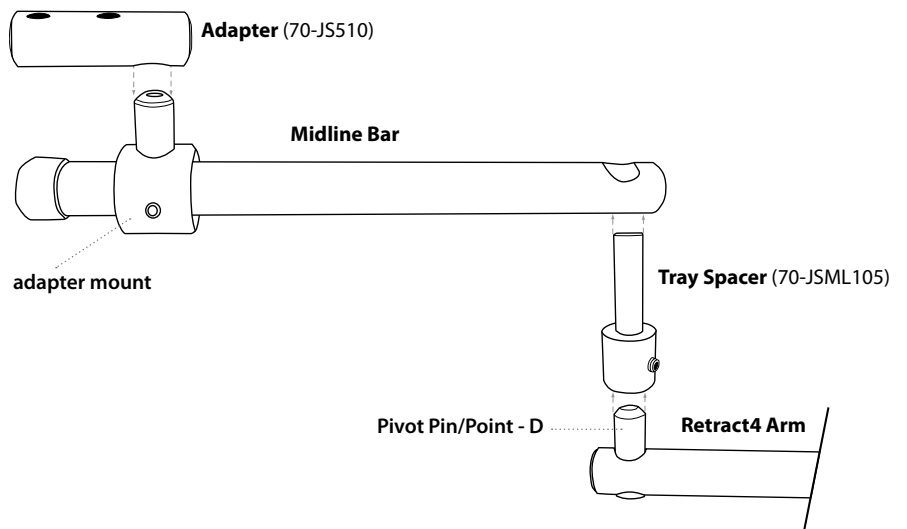
**70-JS510, 70-JS520, 70-JS530, 70-JS540, 70-JS550, 70-JS570:** Mount joystick adapter by sliding the 1/2" hole over the 1/2" pivot pin D. Securely tighten the 3/8" set screw included with the adapter to lock in position.



**ASSEMBLY WITH MIDLINE BAR AND TRAY SPACER**

The Midline bar extension will mount between the arm and adapter. Pivot pin D on the Retractable arm will mount to the 1/2" hole on the midline bar. The Retractable adapter will slide over the 1/2" pin on the midline adapter mount.

Place Tray Spacer (70-JSML105) between Retractable arm and Midline Bar to allow joystick controller and Midline Bar to be positioned over tray.



**MOUNTING THE RETRACT4 TO THE WHEELCHAIR**

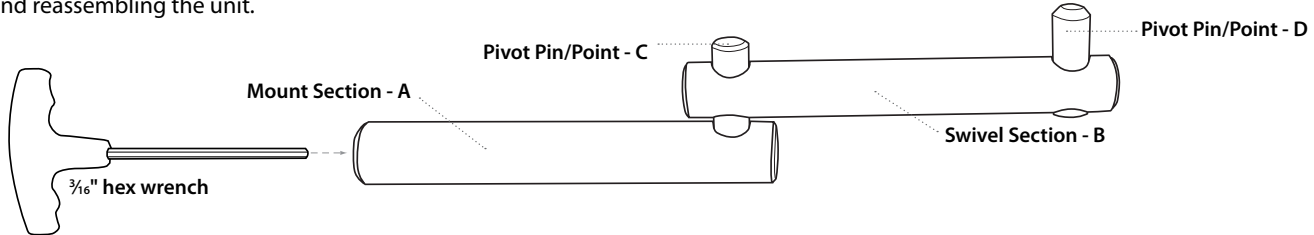
Attach the mounting portion (section A) of the Retractable arm to the receiver bracket on the wheelchair provided by the wheelchair manufacturer. Note that the Retractable can be mounted for right hand or left hand applications without modifications to the unit.

### **TENSION CONTROL OF SWIVEL POINT** (feature available only on Retractable4 — Retractable4 Lite has a preset swing tension)

Tension of swivel point C can be adjusted using a  $\frac{3}{16}$ " x 3" long hex wrench as follows:

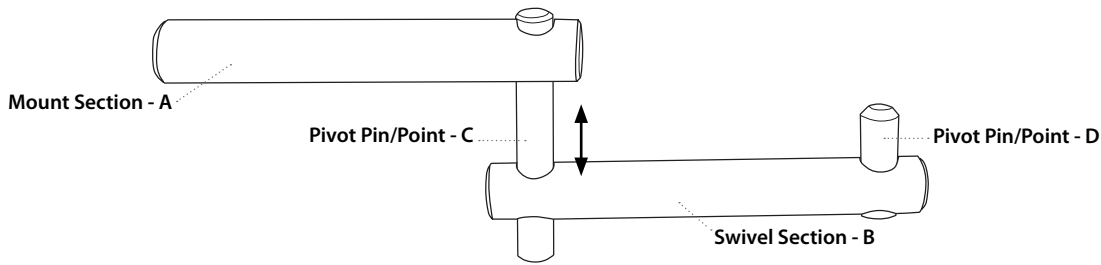
- Insert hex wrench in the end of arm section A
- Turn internal set screw counter clockwise to lessen tension and create easier movement when folding Retractable4
- Turn internal set screw clockwise to increase tension and create more resistance when folding Retractable4
- Turn internal set screw fully clockwise and tighten to lock Retractable4 at this swivel point.

Tension on swivel point D can be adjusted by removing the  $\frac{3}{16}$ " set screw completely from the end of arm section B. Slide Section B from the Retractable4 assembly. Again, using a  $\frac{3}{16}$ " x 3" long hex wrench, tension changes for swivel point D can be made following instructions a thru d above and reassembling the unit.



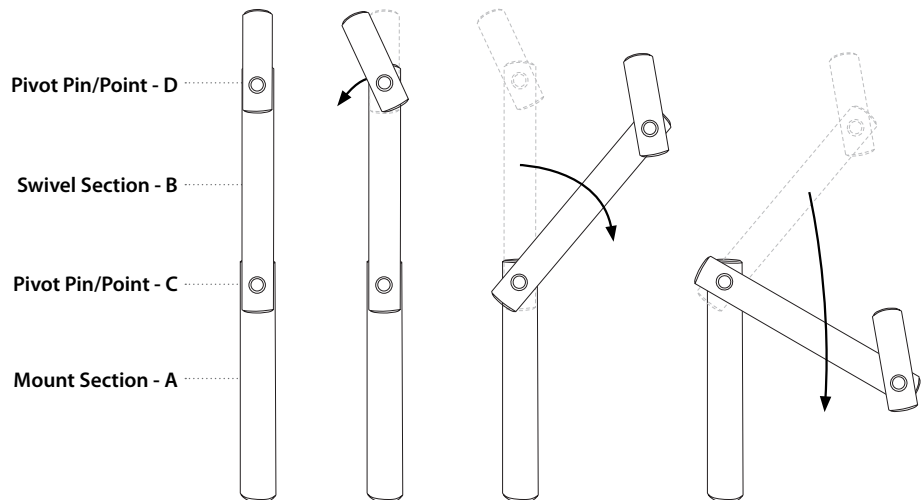
### **VERTICAL HEIGHT ADJUSTMENTS OF JOYSTICK CONTROLLER**

Vertical height of the joystick controller on the Retractable4 arms 70-JS200 and 70-JS300 can be achieved by loosening the  $\frac{3}{8}$ " set screw at the end of section B and sliding the section up or down on pivot pin C. Then retighten set screw when desired height is achieved.



### **\*\*IMPORTANT\*\* FOR EASIER FOLDING OF THE RETRACTABLE4 FROM AN EXTENDED POSITION**

When folding the Retractable4 from a fully extended position first rotate controller in at pivot point D one quarter turn, then rotate section B pushing the unit straight back towards the armrest. This will allow the Retractable4 to be folded in close to the armrest and out of the way as intended, maintaining the smallest profile.



### **WARRANTY**

The Retractable4 has a 12 month parts and labor warranty against manufacturing defects. Healthwares Manufacturing warrants the Retractable4 to be free from defects in material and workmanship, when under normal use and service for a period of 12 months from the date of sale. Normal wear of products is not covered under this warranty. Healthwares will, as its sole obligation under these warranties, replace or repair, at its option, any product that does not conform to this warranty. Under no circumstances will Healthwares be liable for any incidental or consequential damages